



FRAMING NAILER

MODEL G2420

INSTRUCTION MANUAL



GRIZZLY IMPORTS, INC.

If you live East of the
Mississippi River, contact:
2406 Reach Road
Williamsport, PA 17701
Phone: (717) 326-3806

If you live West of the
Mississippi River, contact:
P.O. Box 2069
Bellingham, WA 98227-2069
Phone: (206) 647-0801

WARNING

Some dust created by power sanding, sawing, grinding, drilling, and other construction activities contains chemicals known to the State of California to cause cancer, birth defects or other reproductive harm. Some examples of these chemicals are:

- Lead from lead-based paints.
- Crystalline silica from bricks, cement, and other masonry products.
- Arsenic and chromium from chemically treated lumber.

Your risk from these exposures varies, depending on how often you do this type of work. To reduce your exposure to these chemicals: work in a well ventilated area, and work with approved safety equipment, such as those dust masks that are specially designed to filter out microscopic particles.

WOODWORKING EQUIPMENT SAFETY INSTRUCTIONS

WARNING

For Your Own Safety Read Instruction Manual Before Operating This Equipment

Woodworking can be fun and rewarding, however it can also be a dangerous activity if safe and proper operating procedures are not followed. Please take the time to review the manual which was supplied with your machine, as well as these general safety instructions. Make sure you have properly assembled and adjusted the machine before operating it the first time. Also make certain you understand the procedures you are going to perform. Thinking through the steps or going through the motions of the operation with the machine off is often a good way to anticipate potential problems. Always use common sense and exercise caution in the workshop. If a procedure feels dangerous or awkward, don't do it!

If the instruction manual does not answer your questions, or you cannot find assistance from other woodworking books or references, please contact Grizzly Industrial's Customer Service:

Grizzly Industrial, Inc.
1203 Lycoming Mall Circle
Muncy, PA 17756
Phone: (570) 546-9663
Fax: 1-800-438-5901
E-Mail: techsupport@grizzly.com
Web Site: <http://www.grizzly.com>

WARNING

Safety Instructions For Power Tools

- 1. KEEP GUARDS IN PLACE** and in working order.
- 2. REMOVE ADJUSTING KEYS AND WRENCHES.** Form a habit of checking to see that keys and adjusting wrenches are removed from tool before turning on.
- 3. KEEP WORK AREA CLEAN.** Cluttered areas and benches invite accidents.
- 4. DO NOT USE IN DANGEROUS ENVIRONMENT.** DO NOT use power tools in damp or wet locations, or where any flammable or noxious fumes may exist. Keep work area well lighted.
- 5. KEEP CHILDREN AND VISITORS AWAY.** All children and visitors should be kept a safe distance from work area.
- 6. MAKE WORK SHOP CHILD PROOF** with padlocks, master switches, or by removing starter keys.
- 7. DO NOT FORCE TOOL.** It will do the job better and safer at the rate for which it was designed.
- 8. USE RIGHT TOOL.** DO NOT force tool or attachment to do a job for which it was not designed.

WARNING

Safety Instructions For Power Tools

9. **USE PROPER EXTENSION CORD.** Make sure your extension cord is in good condition. Conductor size should be in accordance with the chart below. The amperage rating should be listed on the motor or tool nameplate. An undersized cord will cause a drop in line voltage resulting in loss of power and overheating. Your extension cord must also contain a ground wire and plug pin. Always repair or replace extension cords if they become damaged.

Minimum Gauge for Extension Cords

AMP RATING	LENGTH		
	25ft	50ft	100ft
0-6	16	16	16
7-10	16	16	14
11-12	16	16	14
13-16	14	12	12
17-20	12	12	10
21-30	10	10	No

10. **WEAR PROPER APPAREL.** DO NOT wear loose clothing, gloves, neckties, rings, bracelets, or other jewelry which may get caught in moving parts. Non-slip footwear is recommended. Wear protective hair covering to contain long hair.
11. **ALWAYS USE SAFETY GLASSES.** Also use face or dust mask if cutting operation is dusty. Everyday eyeglasses only have impact resistant lenses, they are NOT safety glasses.
12. **SECURE WORK.** Use clamps or a vise to hold work when practical. It's safer than using your hand and frees both hands to operate tool.
13. **DO NOT OVERREACH.** Keep proper footing and balance at all times.
14. **MAINTAIN TOOLS WITH CARE.** Keep tools sharp and clean for best and safest performance. Follow instructions for lubricating and changing accessories.
15. **USE RECOMMENDED ACCESSORIES.** Consult the owner's manual for recommended accessories. The use of improper accessories may cause risk of injury.

16. **REDUCE THE RISK OF UNINTENTIONAL STARTING.** On machines with magnetic contact starting switches there is a risk of starting if the machine is bumped or jarred. Always disconnect from power source before adjusting or servicing. Make sure switch is in OFF position before reconnecting.

17. **MANY WOODWORKING TOOLS CAN "KICKBACK" THE WORKPIECE** toward the operator if not handled properly. Know what conditions can create "kickback" and know how to avoid them. Read the manual accompanying the machine thoroughly.

18. **CHECK DAMAGED PARTS.** Before further use of the tool, a guard or other part that is damaged should be carefully checked to determine that it will operate properly and perform its intended function. Check for alignment of moving parts, binding of moving parts, breakage of parts, mounting, and any other conditions that may affect its operation. A guard or other part that is damaged should be properly repaired or replaced.

19. **NEVER LEAVE TOOL RUNNING UNATTENDED. TURN POWER OFF.** DO NOT leave tool until it comes to a complete stop.

20. **NEVER OPERATE A MACHINE WHEN TIRED, OR UNDER THE INFLUENCE OF DRUGS OR ALCOHOL.** Full mental alertness is required at all times when running a machine.

CAUTION

No list of safety guidelines can be complete. Every shop environment is different. Always consider safety first, as it applies to your individual working conditions. Use this and other machinery with caution and respect. Failure to do so could result in serious personal injury, damage to equipment or poor work results.

TABLE OF CONTENTS

I. INTRODUCTION	1
II. COMMENTARY	1
III. UNPACKING	2
IV. SAFETY PROCEDURES	2
V. OPERATING PROCEDURES	4
A. LOADING FASTENERS	5
B. TEST FIRING	6
C. ROUTINE USE	6
VI. MAINTENANCE	7
A. ROUTINE INSPECTION AND MAINTENANCE	7
B. SPECIAL MAINTENANCE	8
1. JAMMING	8
2. DAMAGED DRIVER	9
C. PROBLEM SOLVING	10
VII. CLOSURE	11
VIII. TOOL DATA	12
IX. PARTS LIST	13
X. PARTS DIAGRAM	14
XI. WARRANTY AND RETURNS	15

I. INTRODUCTION

This air tool is designed for driving and setting clipped-head nails in most natural and composite wood materials. It is especially suited for fastening dimensional lumber used in the construction industry and for building crates and pallets. At only 8.3 pounds, the tough light weight construction offers dependable performance while reducing operator fatigue.

This nail gun is part of our complete line of nail guns. It will shoot a variety of bright or galvanized clipped-head nail sizes ranging from 2" x .113" to 3-1/2" x .131". The ability to shoot galvanized nails make it ideal for exterior applications such as deck building and wood siding applications. Nails can be purchased from us or from any manufacturer that supplies staggered, clipped-head nails. If your needs require an air gun that handles smaller brad fasteners, please refer to the Grizzly Imports, Inc. current catalog. We offer a variety of nail guns for most applications.

Grizzly is committed to offering top quality products and supporting our products through customer service and technical documentation. The manual you now have is an example of our technical documentation and is a first generation effort. If you have any constructive criticisms or words of wisdom that you feel we should include in our next printing, simply write to:

Manager, Technical Documentation
Grizzly Imports, Inc.
P.O. Box 2069
Bellingham, WA 98227

Also, if you have any service-related questions or parts requests, please call or write to us at the appropriate location listed on the cover of this manual.

II. COMMENTARY

As with any tool or machine, a thorough understanding of how this nail gun operates is necessary for safe operation. Please take the time to read and follow all safety and operational items in this manual. If you do not understand something or are the least bit confused, then do not operate this tool. Contact us first for assistance or advise. Grizzly cautions that it cannot be assumed that all acceptable safety measures are listed, or that other additional measures are not needed under particular or exceptional circumstances or conditions.

We would also like to state that the specifications and photographs put forth in this manual represent the Model G2420, as supplied when this manual was prepared. We try to be as accurate as possible in preparing our manuals, however, product changes and/or discrepancies in the manual can occur.

Whenever possible, we send out to all owners of a particular tool or machine, manual updates. Should you receive one, we urge you to replace the old information with the new and keep it available for your reference. We also recommend that you maintain our current catalog for information regarding the warranty and return policy. Again, should you need any additional technical information, assistance or parts, please contact the appropriate regional service department.

We appreciate your support and thank you for purchasing a Grizzly tool! Now, let's check out your new Framing Nailer.

III. UNPACKING

Carefully remove the items packed in the carton. It may be a good idea to save the carton and packing material in case it is needed in the future. Upon removal of all items from the package, you should have:

1. Nail Gun
2. 3mm Socket Head Wrench
3. 4mm Socket Head Wrench
4. 5mm Socket Head Wrench
5. 6mm Socket Head Wrench
6. Oil Bottle
7. Safety Goggles

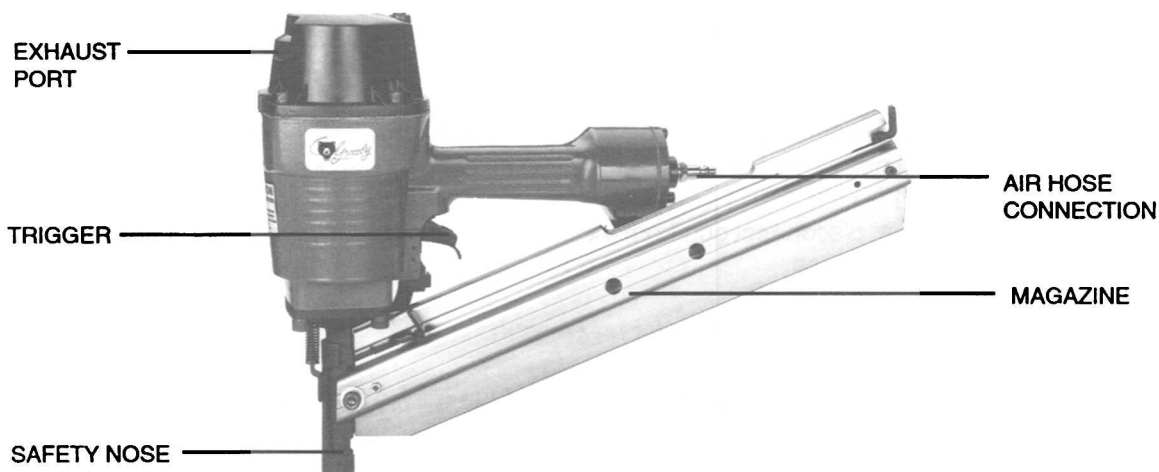


Figure 1 shows main components of the nail gun.

IV. SAFETY PROCEDURES

Pneumatic (air activated) nail guns have the capability of injuring you severely if not used properly. If you are unfamiliar with the operating and safety procedures of this tool **DO NOT** use it. Injury prevention begins before the tool is used. Please read and observe all of the safety items addressed in this manual.

1. When performing any maintenance, the air gun must be disconnected from the air source. Under no condition should the tool be connected to any air source during inspections or maintenance.
2. Air guns should be routinely inspected for worn or damaged parts including air leaks. If the gun is faulty, it should be removed from service and labeled, "**DO NOT USE, DAMAGED**", so others know and understand.

3. **Make sure** the safety nose is functioning properly before loading fasteners.
4. **Disconnect** the gun from the air source **before** loading fasteners.
5. **Make sure** fasteners are loaded correctly.
6. **Make sure** magazine spring is set after loading and prior to operation.
7. **Always** point gun away from you and others when loading, operating and handling this tool.
8. **Disconnect** gun from air source if the gun jams or when performing other maintenance inspections.
9. **Do not** connect gun to the air hose until you are in position and ready to operate the gun.
10. **Be aware** of others in your work area and never shoot the gun if others are in the line of fire.
11. **Keep hands** and other body parts away from the gun tip at all times.
12. **Never** manually depress the safety nose and shoot fasteners at anyone or anything for any reason.
13. **Never** leave gun unattended for any reason, especially when children are present. Disconnect gun from the air source, remove fasteners and put gun out of reach.
14. **When not in use**, disconnect gun from the air source and remove fasteners. Gun should be empty after each use.
15. **Do not** rest gun against your body for any reason.
16. **Do not** carry gun with your finger on the trigger. Gun will fire if safety shoe is accidentally depressed.
17. **Do not** place your free hand or your feet near the gun tip during operation. If you cannot safely support the work piece without placing body parts near the gun tip, do not use this gun.
18. **Do not** operate the gun if work piece is between you or someone else and the gun. Reposition yourself so you are behind the gun.
19. **Always** wear ANSI approved personal protective equipment for your eyes and ears while operating this tool. Anyone else near your work area must also wear eye protection.
20. All air tools exhaust compressed air. If working in an area where dust will become airborne due to exhausted air, **wear respiration protection**.
21. **Use only** clean, dry, regulated compressed air. **Do not** connect this air tool to any pressurized gas other than compressed air.
22. **Air hose must** be rated as having a minimum working pressure rating of 150 psig or 150% of the maximum pressure produced in the line, whichever is greater. Inspect air hoses regularly.

23. Air compressors **must** comply with ANSI B 19.3 - 1981 (U.S.), "*Safety Standard for Compressors for Process Industries*".
24. **Do not** operate at a pressure higher than recommended for this tool.
25. **Never** use this gun for fastening aluminum, brass, metal, plastics or any other like material.
26. **Do not** use this tool for any use other than that for which it was intended. Modifications to this tool voids all warranties.
27. **Bad habits are dangerous.** Review these safety procedures periodically.

V. OPERATING PROCEDURES

Before loading and connecting the gun to the air hose we would like to discuss some basic considerations when operating any air activated nail gun. To prolong the length of time between overhauls and maintain dependability, there are a couple of things you should keep in mind: air pressure and air quality.

Air pressure should be set at the minimum required to set the fastener. To set the air pressure, follow all safety items above and see Section B on page 6. Operating at a pressure that is too high will put excessive stress on internal parts which will lead to a premature gun failure. Always disconnect the air supply when the gun is not in use for safety reasons and also, because constant pressure will reduce the life expectancy of the O-rings inside the gun.

Since this air gun is a precision tool with close internal tolerances designed for repetitious use, it must be continually oiled and operated with clean air. Often times, real working conditions make it difficult to maintain a clean air supply. Also, the conditions associated with compressed air such as condensed water vapor are detrimental to the internal mechanisms of the nailer. This is why it is very important to control the quality of air that is entering the gun. Listed here are some ways to ensure that the best quality air enters your nail gun for increased dependability.

1. We recommend the use of an in-line system to automatically oil, filter and dry compressed air. Grizzly offers an in-line regulator / filter / water-separator / lubricator. Please refer to a current catalog for price and ordering information.
2. Ensure that the intake air filter on your compressor is clean and operational. Periodically clean or replace this filter. This filter is your primary line of defense against a dirty work environment.
3. Drain the compressor air storage tank(s) daily. If operating during extremely humid conditions, drain tank(s) more often. Humid air, which is air with water vapor, condenses and accumulates in the bottom of the storage tank(s). Some of this moisture is passed into the air supply hose to the nail gun which will corrode internal metal parts. Also, this moisture will freeze inside the gun affecting operation when operating in cold weather .
4. Keep the gun nose as clean as possible. Dirt has a tendency to work its way into the gun from the nose. Wipe off any dirt that collects on the outside of the gun daily and only after gun has been disconnected from air supply.

5. Keep air hoses internally as clean as possible. Inspect nipples and couplers for any dirt and moisture and blow out prior to connecting to the gun.
6. Keep the gun oiled. Use a 10W non-detergent oil with no additives to keep internal parts well lubricated. If your air supply is not pre-lubricated, you must add a few drops of oil directly into the nipple at the rear of the handle each time the magazine is loaded. Do not use any oil that will corrode the rubber O-ring seals such as detergent oils or oils that are used as solvents.

With these points in mind, you can operate your nail gun under the best conditions for increased dependability and low overall cost of operation.

IMPORTANT: When you first pick up an air activated nail gun you must **always** assume that it is loaded. Inspect for any nails and load the gun magazine **before** connecting the gun to the air supply. **Do not** connect the air supply until you are in position and are ready to operate the gun.

A. LOADING FASTENERS

To load the gun:

1. Disconnect the air hose if already connected.
2. Pull back on the pusher (Part #428) until it is secured by the latch (Part #430) at the rear of the magazine.
4. Slip the fasteners into the slot in the top of the magazine, one clip at a time. The fasteners are positioned into the slot with points facing down and heads facing up. Ensure that the fasteners are parallel with the gun nose as they enter the magazine. The magazine will hold three clips.
5. Release the latch (Part #430) so the pusher (Part #428) presses against the fasteners.
6. Connect the air hose to the male quick-connect nipple on the back of the handle. Pull back on the female hose connector sleeve, press the fitting onto the nail gun fitting and release the sleeve. The female fitting will lock onto the male gun fitting.
7. Listen for any air leaks. If no leaks are detected, you are ready to test fire the gun.

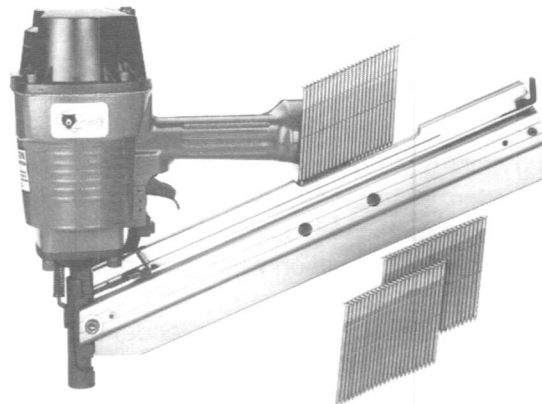


Figure 2 shows placement of fasteners into the magazine.

Prior to operating this nail gun, ensure that all safety procedures are read and understood. This tool is very simple to use which speeds production. However, ease of use and routine production work may invite accidents. Please practice safe work habits at all times and always wear ANSI approved safety equipment.

B. TEST FIRING

Whenever changing fastener size or composition of material being fastened, the gun should be tested to ensure that the air pressure is set correctly and the gun is working properly.

To test fire the gun, wear safety glasses and follow the steps below:

1. Select a sample work piece similar in composition to the type of material you will be fastening.
3. Hold gun perpendicular (90°) to your work and firmly press the safety nose down.
4. Pull trigger.
5. Inspect your results. If nail is set too far into the work piece, reduce the regulated air pressure either at the compressor or at the in-line regulator if equipped. If the nail is not set or protrudes above the work surface, increase the air pressure. However, **do not** exceed the maximum air pressure recommended for the gun or the hose.

C. ROUTINE USE

To operate the nail gun during routine use, always wear safety glasses and:

1. Line up gun nose with the area on the work piece you intend to fasten.
2. Hold gun straight and perpendicular to the work surface.
3. Firmly press safety nose against the work piece so that the gun nose rests on the work piece.
4. Pull trigger.

This gun can also be continuously fired by holding down on the trigger and firmly pressing the safety nose against the work piece each time you wish to shoot a fastener. However, since this gun will recoil, if only slightly, there is the chance that the gun will misfire if you do not firmly press down each time you wish to shoot a fastener. **Do not** carry the gun around with the trigger depressed.

Caution: Be aware that if the gun nose is positioned too near the edge of the work piece or is not held straight, there is a chance that the fastener will split the work piece or the fastener may be deflected. Also, be aware that compressed air is exhausted out of the top, front of the gun. **Do not** hold the gun in such a way that exhausted air is blown into your face or someone else's face. Also, note that exhausted air will cause any nearby dust to become airborne. Use a respirator if necessary.

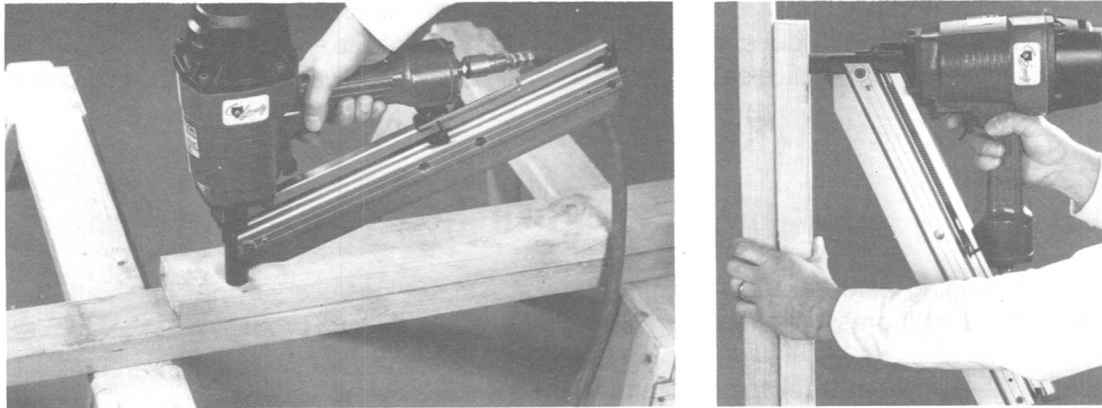


Figure 3 shows holding nail gun for different applications.

Sometimes a jam will occur if the gun is misfired or the driver is worn or damaged. If a jam should occur, disconnect the gun from the air supply and follow the directions listed in the maintenance section under special maintenance.

VI. MAINTENANCE

This nail gun is relatively simple to maintain. However, we have divided this section into: routine maintenance, special maintenance, and problem solving.

WARNING: All inspections and/or any maintenance is to be performed with the air supply disconnected from the tool.

A. ROUTINE INSPECTION AND MAINTENANCE

Inspect and maintain the following items daily:

1. Check the air gun for any loose bolts or air leaks. Loose bolts should be re-tightened. Make sure that all lock washers are in place. Air leaks are an indication that internal seals are worn and should be replaced.
2. Make sure safety nose and trigger are functioning properly and in working order. Repair as necessary. **Do not** use this gun with a broken or modified safety nose.
3. The air gun should be kept clean. Wipe off with a clean cloth daily.
4. If there is any mechanical problem with the tool, it must be taken out of service and repaired. If waiting for parts or repair, tool must be tagged: "**DO NOT USE**" and removed from the work area.
5. Inspect air hoses and fittings for wear and tear and replace if necessary.
6. Inspect your air compressor to ensure that it is operating properly. Follow the manufacturers recommended maintenance schedule.
7. Inspect the automatic lubricating system if, applicable, and fill as required. Inspect in-line air and water filters, if applicable, and change or clean as necessary.

8. Inspect the compressor regulator and/or in-line regulator to ensure that they are set correctly. Adjust accordingly.

B. SPECIAL MAINTENANCE

Special maintenance requires that part or all of the gun be disassembled. The only tools required for disassembly are the four metric socket head wrenches provided with the nail gun. A dead-blow mallet, needle nose pliers and a narrow punch may also be necessary for special servicing. Grizzly has available an O-ring rebuilding kit and replacement parts for this tool. Please call or write the appropriate service location on the cover of this manual for prices and ordering information.

In this section we have described some of the basic special maintenance items relating to this tool. If you think you have a more serious problem or do not want to repair this tool yourself, you can write or call the appropriate service location. They will gladly help you service the problem yourself or recommend that you send the gun back to us for repair. Please follow the return procedure outlined in our current Grizzly catalog.

1. JAMMING

If the gun jams, for whatever reason, follow the steps outlined below:

1. Disconnect gun from the air supply, pull back on the pusher until it is latched open and remove any fasteners in the magazine.
2. Remove the two 6mm cap bolts (Part #410 and Part #411) securing the magazine to the nose and the 4mm cap bolt (Part #435) and nut securing the magazine to the handle.
3. Slide magazine off the gun nose.
4. Using needle nose pliers, remove any bent fasteners lodged in the nose.
5. Slide magazine back onto the gun nose and secure all socket head bolts.
5. Make sure safety nose is functioning correctly and that it slides freely.
6. Re-load fasteners and connect nail gun to the air supply.
7. Test fire into a sample piece after following all operational and safety procedures discussed earlier. **Always** wear safety glasses when using this gun.

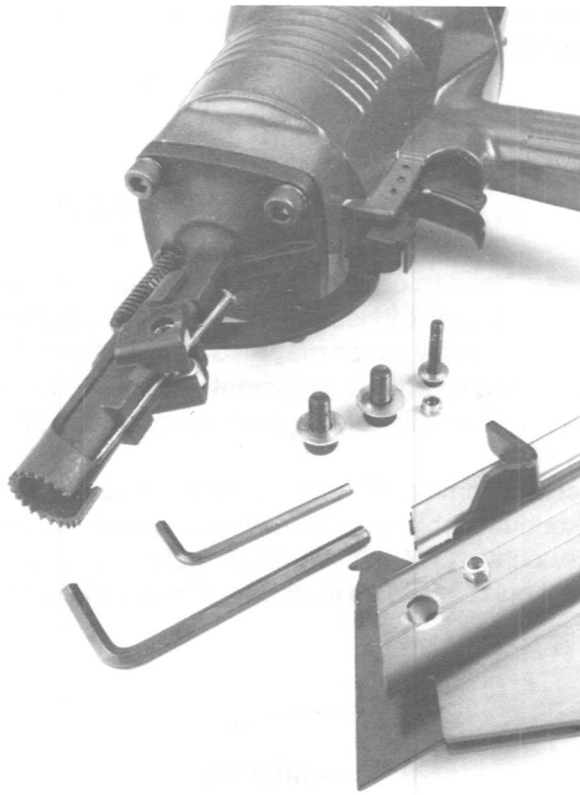


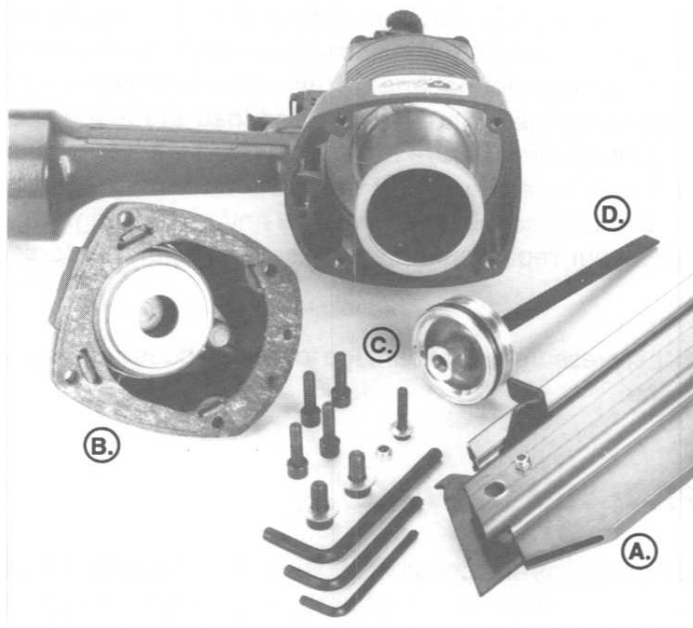
Figure 4 shows magazine removed to inspect for jamming.

If jamming is due to worn or broken parts, repair or replace them before placing the gun back into service. For example, a worn or damaged driver may cause jamming. If the driver tip is worn, you may be able to recondition the tip of the driver by filing square again. In any event, you must remove the damaged driver from the gun.

2. DAMAGED DRIVER

To remove the driver, follow the steps below:

1. Disconnect gun from the air supply and remove any fasteners from the magazine.
2. Remove magazine as you would if the gun were jammed.
3. Remove the four 5mm socket head bolts from top of gun which secure the cylinder cap assembly (Part #103). As you loosen the bolts, the cap will push out because of an internal compressed spring.
4. Remove cylinder cap assembly (Part #103).
5. Use a narrow punch or nail and push the driver (Part #114) back into the nail gun. This should free the main piston (Part #113) from the top of the cylinder.
6. Inspect driver condition and repair or replace as necessary.



- A. MAGAZINE
- B. CYLINDER CAP ASSEMBLY
- C. MAIN PISTON
- D. DRIVER

Figure 5 shows driver removed from the nail gun.

NOTE: The driver and main piston are supplied as one unit. It is not necessary to remove the driver from the main piston when ordering a replacement driver.

Since the gun is disassembled, now is a good time to inspect the condition of the visible O-rings. If the O-rings show signs of wear and tear, they should be replaced. Inspect the surfaces where the O-rings seal against for any possible rough spots which will erode the new O-rings. When replacing the O-rings, make sure that there is no dirt or grit in the groove where the O-rings seat. Do not stretch the O-rings or nick them on any sharp edges or burrs. If cleaning parts with a solvent, do not use a solvent that may deteriorate the O-rings.

To re-assemble the gun:

1. Carefully position the driver tip into the driver guide (Part #401) from the top of the nail gun. You may have to wiggle the driver so the main piston seats into the cylinder.
2. Position cylinder cap assembly on top of the main piston.
3. Ensure that cylinder cap gasket is in place under the cylinder cap.
4. Tighten the four 5mm socket head bolts. To tighten with even pressure against the internal spring, incrementally tighten opposing bolts until all bolts are tight. Ensure that all lock washers are installed under the socket head bolts.
5. Slide the magazine back onto the gun nose and fasten socket head bolts. Ensure that the safety nose functions correctly.
6. Re-check all bolts to make sure they are tight and test the gun to ensure that it works properly.

To initially test the gun after a repair procedure **do not** put any fasteners into the magazine. Put on your safety glasses, reduce the regulated air pressure to 30 psi and connect the air hose. Check for any leaking air. If everything is okay, press the safety nose down on a piece of wood and pull the trigger a couple of times. If everything seems normal and the air was exhausted each time, then test the gun using fasteners. Disconnect the air hose again and load the magazine with recommended fasteners. Adjust the regulated air pressure back up to the minimum required to set the fastener and re-connect the nail gun to the air supply. Refer to the Operating Procedures, Section B on page 6. Press the safety nose on a suitable test material and pull the trigger. If the gun is still not working properly re-check your repair procedure or call the appropriate service location for assistance.

NOTE: It is important to reduce the initial test pressure so that damage to the gun does not occur when firing without any fasteners in the magazine.

C. PROBLEM SOLVING

This section covers some other potential problems and possible causes. If you have taken the gun apart before, as in the above section, you will realize that most problems can be repaired on the job site with a few basic parts. If you are heavily dependent upon this tool for production type work, it makes good sense to have an O-ring repair kit and a few parts on hand just in case a problem does develop. The following list describes some potential problems and solutions:

1. If the driver does not return to its starting position, then the main piston O-ring (Part #112) may be worn or broken.
2. If air constantly leaks at the exhaust port, then the head valve piston O-rings (Part #109 and #110) may be worn or broken.
3. If air constantly leaks at the trigger, then the trigger mechanism O-rings may be worn or broken.
4. If the gun misfires or over-drives the fastener into the work piece without manually changing the air pressure, then the bumper (Parts #121 and #122) may be worn or broken.

Again, if you have a problem that you would like assistance solving, please call the appropriate service department for advise. They will be glad to assist you.

This concludes the maintenance section.

VII. CLOSURE

The following pages cover tool specifications, a parts list, a parts diagram and warranty information.

Thanks again for purchasing a Grizzly tool. We sincerely appreciate your business and hope to have the opportunity to serve you again in the future.

VIII. TOOL DATA

GRIZZLY MODEL G2420 FRAMING NAILER

Operating Air Pressure:

Softwood:..... 75 to 100 PSI
Maximum Air Pressure 120 PSI
Hardwood: 90 to 120 PSI
Maximum Air Pressure 120 PSI

Nail Length: 2" to 3-1/2" Clipped-Head Nails

Nail Types: Bright and Galvanized

Nail Gauge:113" to .131"

Magazine Capacity: 75 to 105 (Three Strips)

Construction: Cast Aluminum and Hardened Steel

Coupling System: 1/4" NPT

Lubricating Oil: Use 10W Non-detergent Oil

Gun Weight: 8.3 lbs.

Parts and Accessories:

A rebuilding kit is available from Grizzly and includes all O-rings. The rebuilding kit and other parts can be individually ordered through the appropriate service department.

Grizzly also carries a complete line of fasteners, air hose, an in-line regulator / filter / water-separator / lubricator, and quick-connect couplers. Please refer to a current Grizzly catalog for price and ordering information.

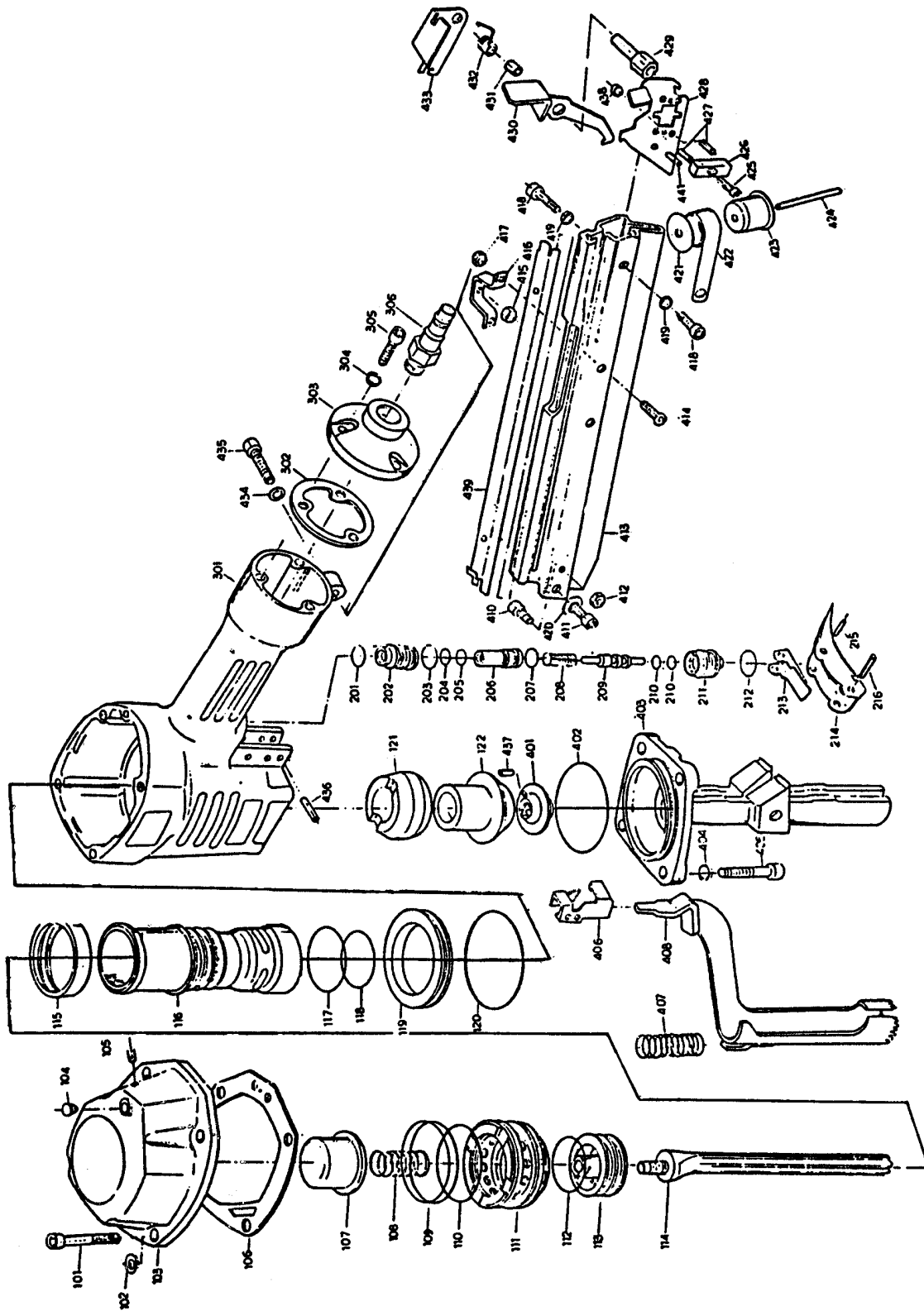
Specifications, while deemed accurate are not guaranteed.

IX. PARTS LIST

Part No.	Description
101	Hex. Soc. Hd. Bolt
102	Lock Washer
103	Cylinder Cap Assembly
104	Grommet
105	Hex. Soc. Hd. Bolt
106	Cylinder Cap Gaslet
107	Piston Stop
108	Compression Spring
109	O-Ring
110	O-Ring
111	Head Valve Piston
112	O-Ring
113	Main Piston
114	Driver
115	Collar
116	Cylinder
117	O-Ring
118	O-Ring
119	Cylinder Ring
120	O-Ring
121	Bumper A
122	Bumper B
201	O-Ring
202	Valve
203	O-Ring
204	O-Ring
205	O-Ring
206	Valve Plunger
207	O-Ring
208	Spring
209	Plunger
210	O-Ring
211	Plunger Cap
212	O-Ring
213	Secondary Trigger
214	Primary Trigger
215	Spring Pin
216	Spring Pin
301	Body
302	Gasket
303	End Cap
304	Lock Washer

Part No.	Description
305	Hex. Soc. Hd. Bolt
306	Nipple
401	Driver Guide
402	O-Ring
403	Nose
404	Lock Washer
405	Hex. Soc. Hd. Bolt
406	Safety Guide
407	Spring
408	Safety Unit
410	Hex. Soc. Hd. Bolt
411	Hex. Soc. Hd. Bolt
412	Lock Nut
413	Magazine
414	Hex. Soc. Hd. Bolt
415	Lock Nut
416	Mounting Bracket
417	Lock Nut
418	Hex. Soc. Hd. Bolt
419	Lock Washer
420	Flat Washer
421	Flat Washer
422	Spring
423	Spool
424	Rolled Pin
425	Hex. Soc. Hd. Bolt
426	Pusher Bearing
427	Roller Pin
428	Pusher
429	Magazine Spacer
430	Latch
431	Latch Spring Bushing
432	Latch Spring
433	Latch Stop
434	Flat Washer
435	Hex. Soc. Hd. Bolt
436	Rolled Pin
437	Rolled Pin
438	Lock Nut
439	Steel Channel
441	Rolled Pin

X. PARTS DIAGRAM



XI. WARRANTY AND RETURNS

Limited Warranty

Grizzly Imports, Inc. warrants every product it sells for a period of 90 days on all parts and one year on all electric motors to the original purchaser from the date of purchase. This warranty does not apply to defects due directly or indirectly to misuse, abuse, negligence, accidents, repairs or alterations or lack of maintenance by the end user. This is Grizzly's sole written warranty and any and all warranties that may be implied by law, including any merchantability or fitness, for any particular purpose, are hereby limited to the duration of this written warranty. We do not warrant or represent that the merchandise complies with the provisions of any law or acts unless the manufacturer so warrants. In no event shall Grizzly's liability under this warranty exceed the purchase price paid for the product and any legal actions brought against Grizzly shall be tried in the State of Washington, County of Whatcom.

We shall in no event be liable for death, injuries to persons or property or for incidental, contingent, special or consequential damages arising from the use of our products.

To take advantage of this warranty, the product or part must be returned to either our Bellingham or Williamsport warehouse, freight prepaid. Proof of purchase must accompany the merchandise. The manufacturers reserve the right to change specifications at any time as they constantly strive to achieve better quality equipment.

For the most up to date warranty and return policy information, please refer to our current Grizzly catalog.

NOTES: